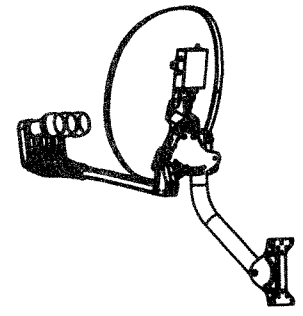
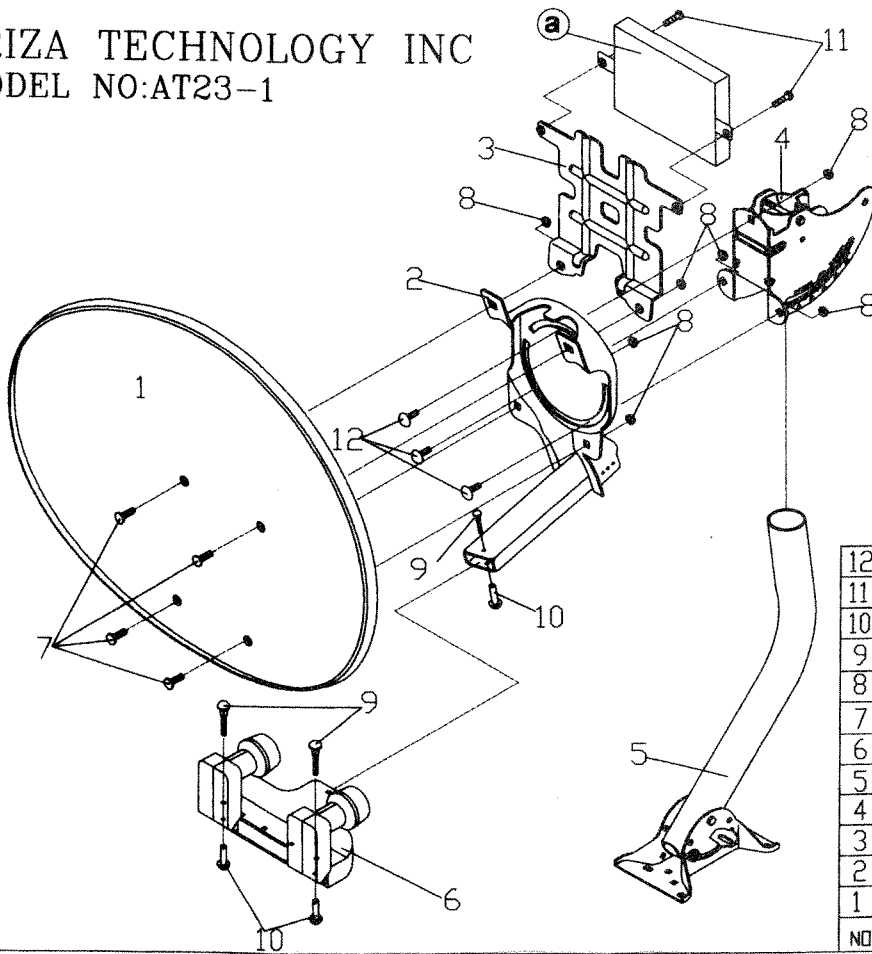


ARIZA TECHNOLOGY INC
MODEL NO:AT23-1



Thread	Max Tightening torques	
1/4"	8.8N.m	90Kgf.cm
remark:1N.m=10.197Kgf.cm		

12		1/4" * 1/2" Round Head Square Screw	3
11		1/4" - 3/4" hex-cross-head cap screw	2
10		10# - 32UNF Round Head Cross Nut	3
9		10# - 32UNF Square Screw	3
8		1/4" Flange Nut	7
7		1/4" * 10 Round Flat Head Square Screw	4
6		Y Adapter	1
5		Bottom Mount/45° Pole	1
4		Pole Adapter	1
3		Bracket Multi Switch	1
2		Reflector Bracket & LNB Arm	1
1		Reflector (Dish)	1
NO	ITEM	DESCRIPTION	QTY

Installation Manual

- Step 1. To find the adequate azimuth first, then drill the holes on the installed surface and fixed the bottom mount assembly (5) on the hole, and adjust the 45° pole to be vertical to the ground. Be sure No trees, leaves, buildings can be in the line-of-sight between antenna and satellites. (2)
- Step 2. Assemble the LNB Arm/Dish Bracket (2) and Tilting AZ/EI mount (4) pre-Assembly with 1/4" * 1/2" round head square screw. (12)
- Step 3. Assemble the reflector (1) and LNB Arm/Dish Bracket (2) and Bracket Multi switch (3) together With 1/4" * L10mm round flat head square screw (7) and assembly Multi-Switch (a) on Bracket Multi-Switch with 1/4" * 3/4" hex-cross-head cap screw (11)
- Step 4. Assemble the Y-Adapter (6) to the end of LNB Arm with 10# - 32UNF Square screw (9) & 10# - 32UNF Round head Cross nut (10), then put the LNBF on the Y-Adapter with (9) & (10)
- Step 5. Adjust the Azimuth (horizontal, side/side), Elevation (vertical, up/down), and Tilt (dish reflector rotation) to find the suitable Antenna site, then please tight up all the screw in this stage.